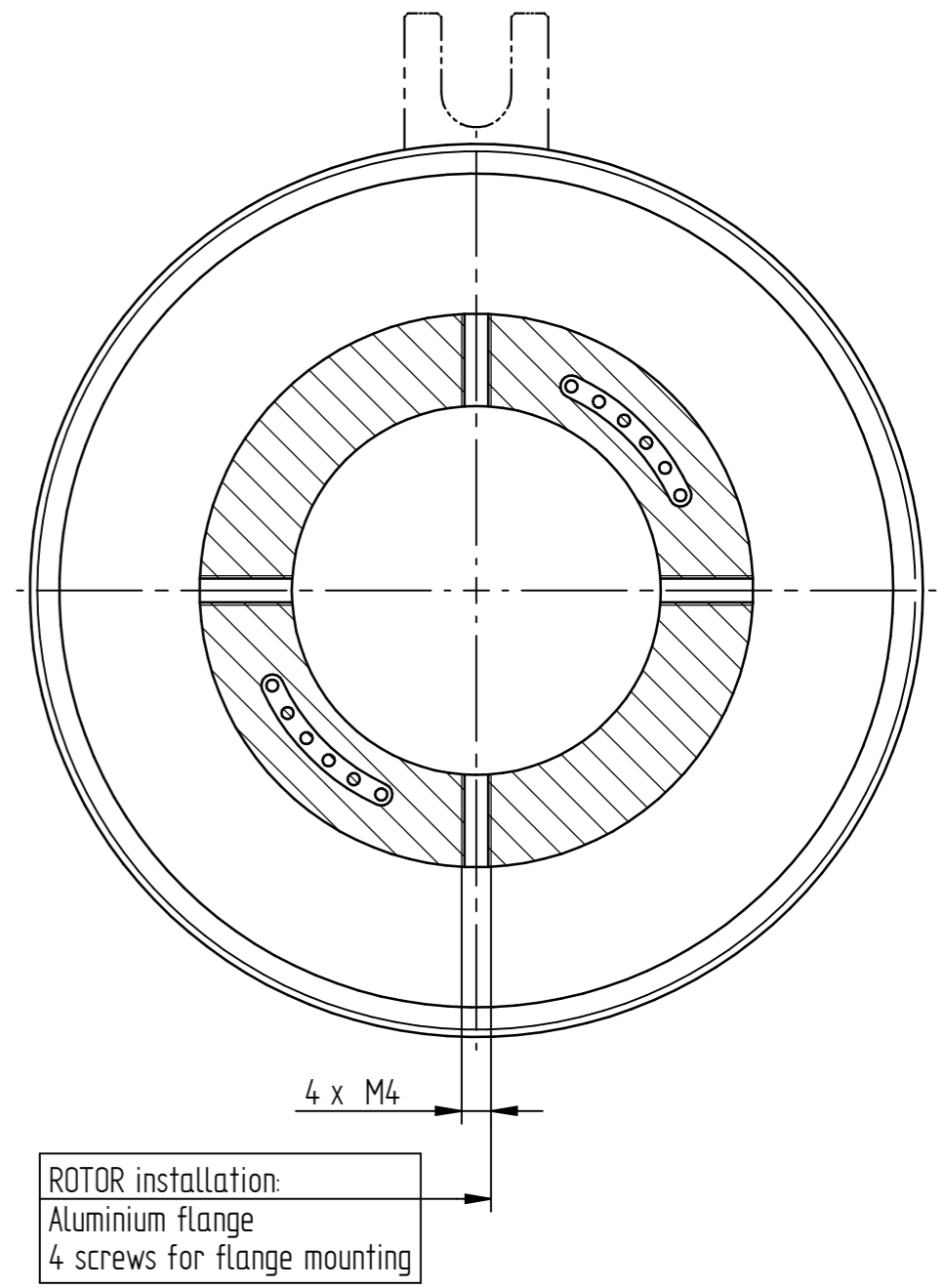
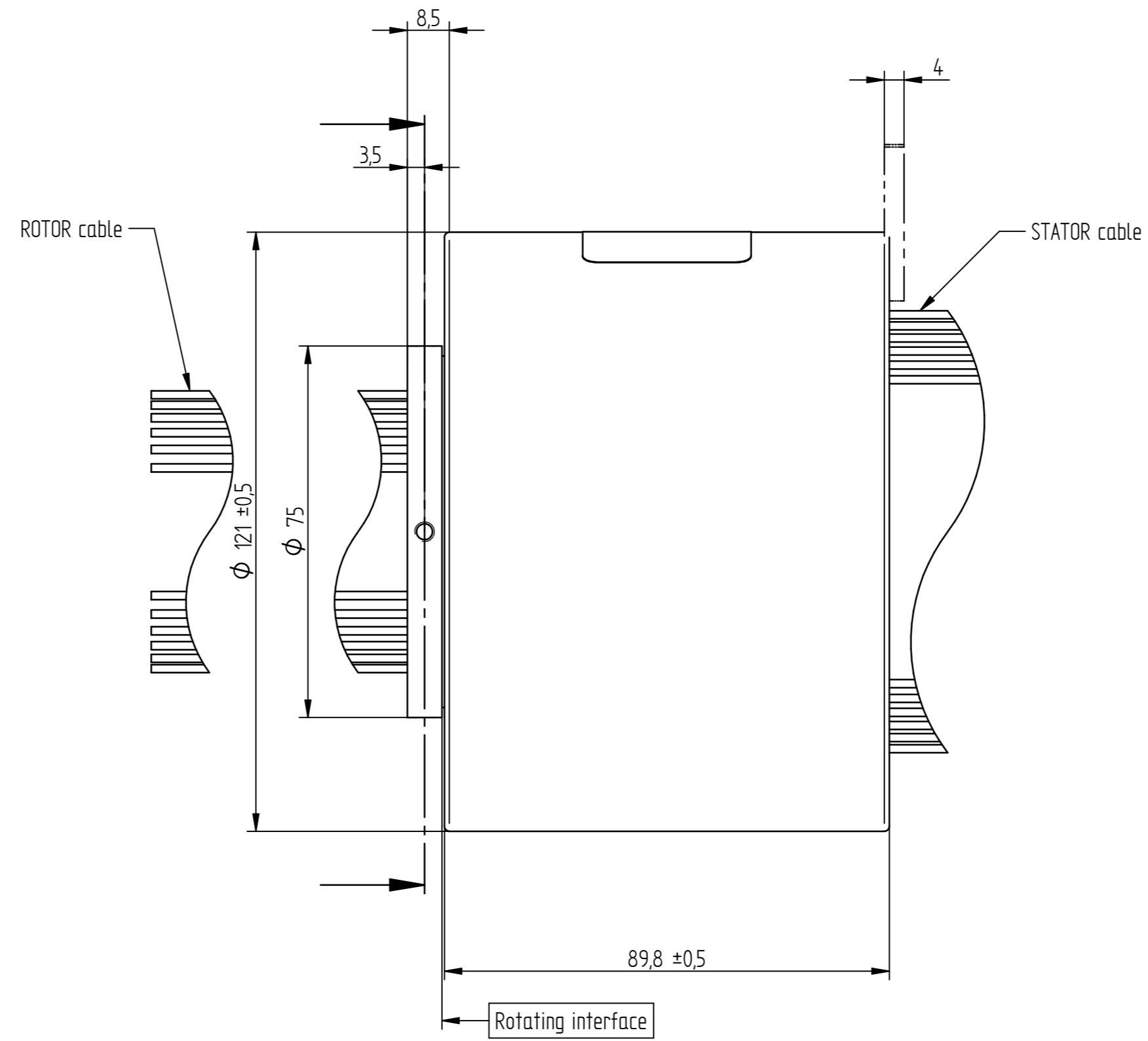


STATOR installation:
Anti-rotation tab to be mounted optionally, see manual
Anti-rotation tab is enclosed in the packaging



ROTOR installation:
Aluminium flange
4 screws for flange mounting

Wiring diagramm see sheet 2

Die Montageanleitung 7BC000000 wird elektronisch bereitgestellt.
The assembly instruction 7BC000000 is provided in electronic format.

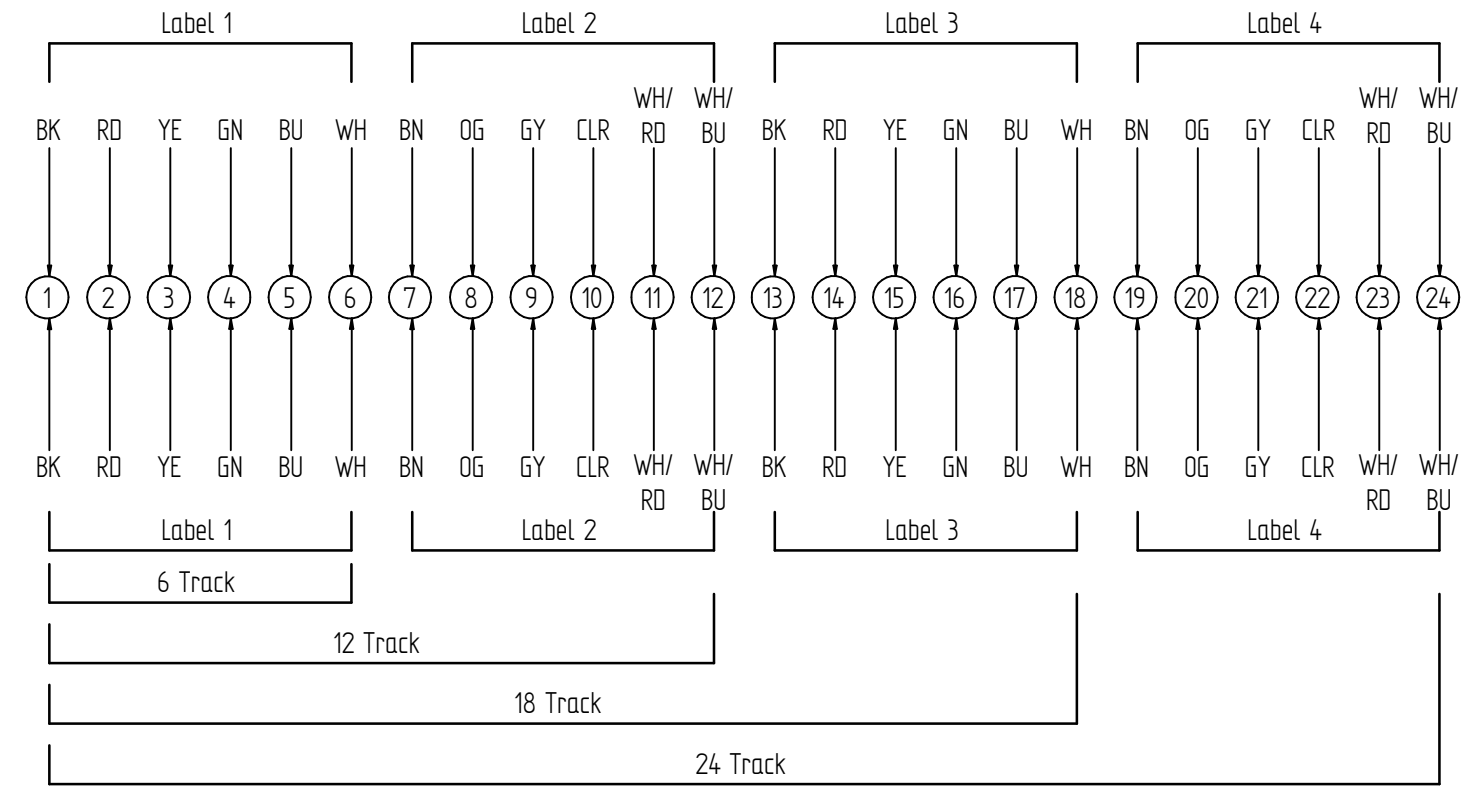
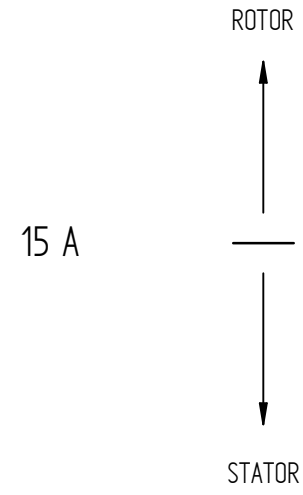
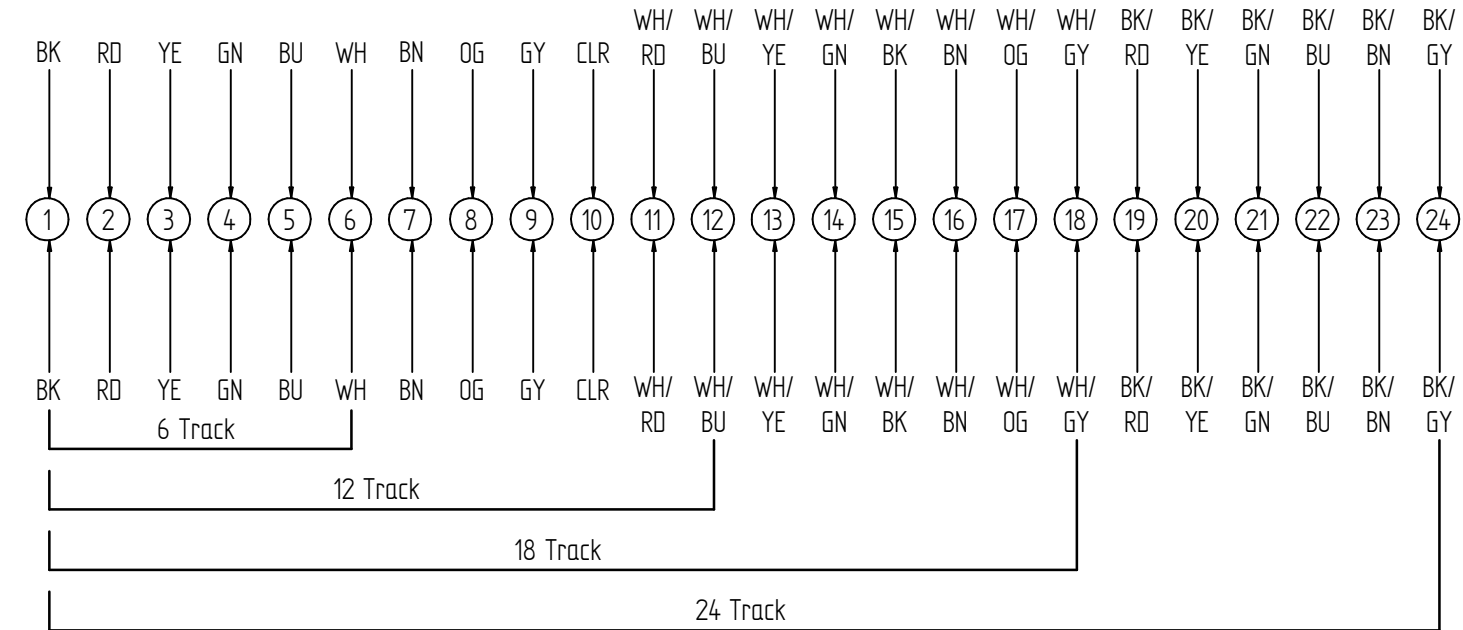
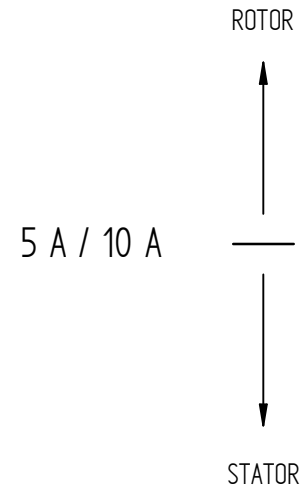
ELECTRONIC & ELECTRIC		MECHANICAL	
Rating Voltage	250 V AC / DC or 400 V AC	Working Speed	300 rpm max.
		Inner Diameter	Ø 50,0
		Contact Material	Precious Metals
Current	15 A	Lead Wire Length	STATOR: 250 mm ROTOR: 250 mm
Track	12	/	/
Insulation Resistance	500 MΩ @ 500 V DC	/	/
ENVIRONMENT		REMARKS	
Working Temperature	-20 °C to +60 °C	Application	see Manual
Working Humidity	≤ 60 % RH	Other	/
Protection Class	IP50	Note:	/

10	1	70C000026	Maverick Schleifring 12-Weg 15A		
Pos.	Anz.	Mat.Nr.	Kurztext	GroÙe/Abmessung	Werkstoff
1	2	3	4	5	6
DIN ISO 5456-2		TOLERANCES		DIN ISO 13715	
ISO 2768 - mH		+0,3 +0,1		-0,1 -0,3	
STANDARDS		DWG NO		REVISION	
ISO 8015 ISO 14405		7KC000026		A1	
		Beschreibung		FIRST RELEASE	
		Maverick Schleifring 12-Weg 15A		18.01.2022	
		Maverick Slip Ring 12-Track 15A		DESIGNER	
				CREITER	
				APPROVED	
				AGREPPMAYR	
				CHANGE NO	
				200120151	
				DOCUMENT TYPE	
				Kundenzeichnung	
				SHEET	
				1/2	
				Drafft: 1000955713/002/000/02	
				Modell: 1000955713/000/000/02	
				A2	

All drawings are the property of Schleifring GmbH/ Germany and are to be treated as confidential. The reproduction, distribution and utilization as well as the communication of its contents to others without express authorization is prohibited. Offenders will be held liable for the payment of damages. All rights reserved in the event of the grant of a patent utility model or design.

All drawings are the property of Schleifring GmbH/ Germany and are to be treated as confidential. The reproduction, distribution and utilization as well as the communication of its contents to others without express authorization is prohibited. Offenders will be held liable for the payment of damages. All rights reserved in the event of the grant of a patent, utility model or design.

Cable Table	
Current	Cable
5 A / Signal	AWG17
10 A	
15 A	AWG14



DIN ISO 5456-2 	TOLERANCES ISO 2768 - mH	DIN ISO 13715 	FINISH	SCALE	REFERENCE 2
			MATERIAL	1:1	REFERENCE 1
STANDARDS ISO 8015 ISO 14405	DWG NO 7KC000026	REVISION A1	FIRST RELEASE	18.01.2022	
	Beschreibung Maverick Schleifring 12-Weg 15A		DESIGNER	CREITER	
	DESCRIPTION Maverick Slip Ring 12-Track 15A		APPROVED	AGREPPMAYR	
	SIZE/DIM.	CHANGE NO 200120151		DOCUMENT TYPE	SHEET
Draft: 1000955713/D02/000/02		Modell: 1000955713/D00/000/02		A3	
			Kundenzeichnung	2/2	